

DH-HAC-HDW1000R

1Megapixel 720P IR HDCVI Mini Dome Camera



Features

- 1/4" 1Megapixel CMOS
- 25/30fps@720P
- High speed, long distance real-time transmission
- Day/Night(ICR), AWB, AGC, BLC, 2DNR
- 3.6mm fixed lens (2.8mm optional)
- Max. IR LEDs length 20m, Smart IR
- DC12V

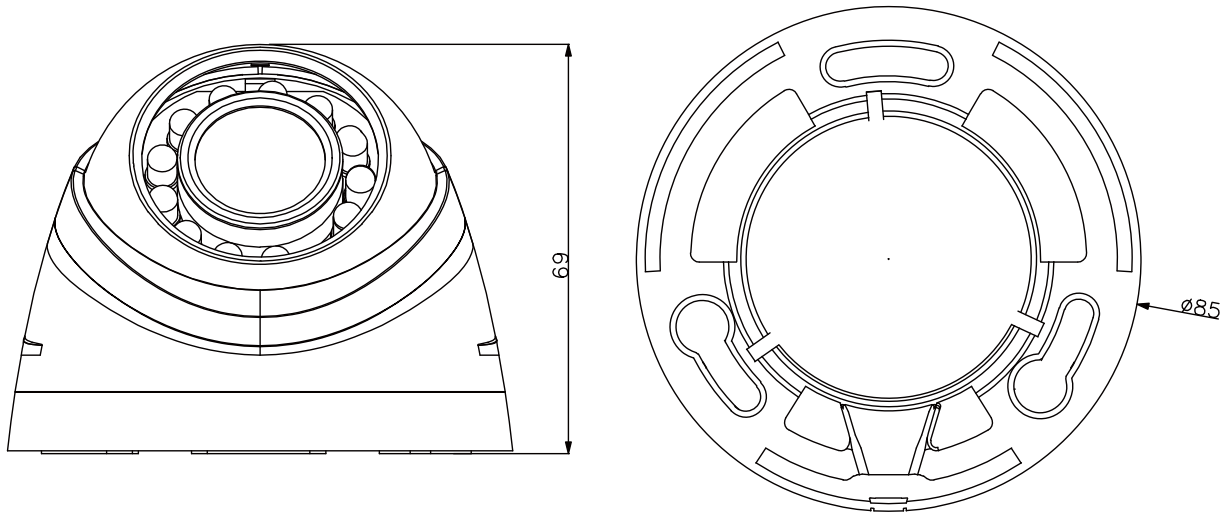
DH-HAC-HDW1000R

Technical Specifications

| Model | DH-HAC-HDW1000RP | DH-HAC-HDW1000RN |
|------------------------|--|------------------|
| Camera | | |
| Image Sensor | 1/4" 1Megapixel CMOS | |
| Effective Pixels | 1280(H)×720(V) | |
| Electronic Shutter | 1/50s~1/100,000s | 1/60s~1/100,000s |
| Video Frame Rate | 25fps@720P | 30fps@720P |
| Synchronization | Internal | |
| Min. Illumination | 0.05Lux/F2.0, 0Lux IR on | |
| Video Output | 1-channel BNC HDCVI high definition video output | |
| Camera Features | | |
| Max. IR LEDs Length | 20m, Smart IR | |
| Day/Night | Auto(ICR) / Color / B/W | |
| Noise Reduction | 2D | |
| Lens | | |
| Focal Length | 3.6mm (2.8mm optional) | |
| Angle of View | H: 58.5°(80.5°) | |
| Mount Type | M12 | |
| General | | |
| Power Supply | DC12V±25% | |
| Power Consumption | Max 2.5W | |
| Working Environment | -30°C~+60°C / Less than 95%RH (no condensation) | |
| Transmission Distance | Over 800m via 75-3 coaxial cable | |
| Dimensions | Φ85mm×69mm | |
| Weight | 0.1kg | |
| Material | Plastic | |

DH-HAC-HDW1000R

Dimensions (mm)



Accessories (optional)



Dahua Technology Co., Ltd.

1199 BinAn Road, Binjiang District, Hangzhou, China

Tel: +86-571-87688883

Fax: +86-571-87688815

Email: overseas@dahuatech.com

www.dahuasecurity.com

*Design and specifications are subject to change without notice.

© 2014 Dahua Technology